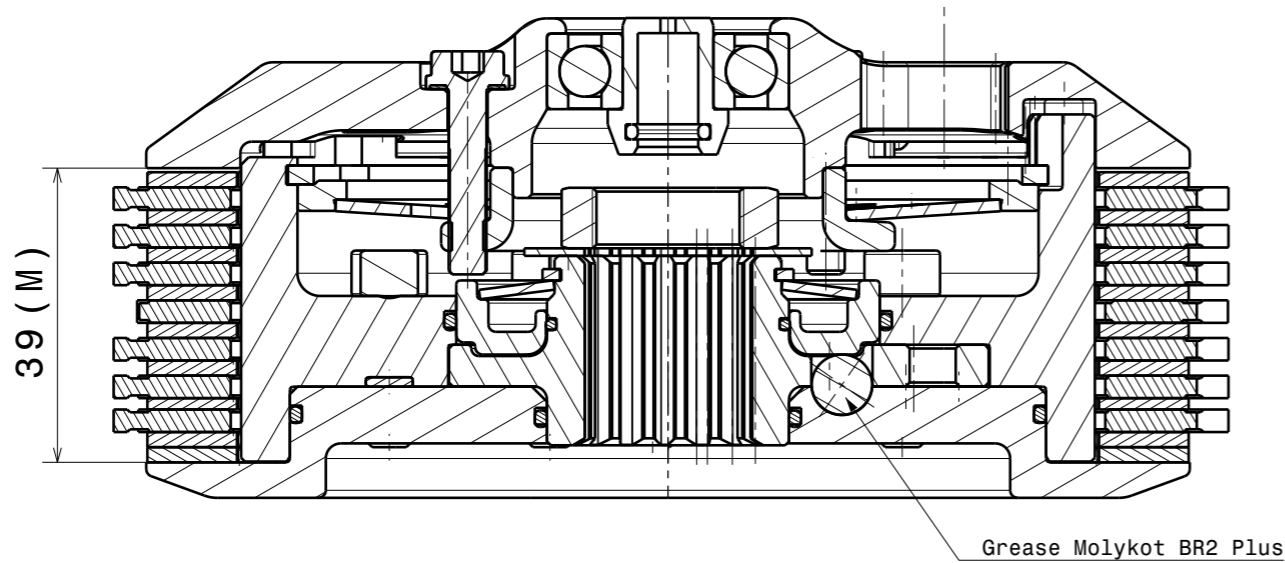
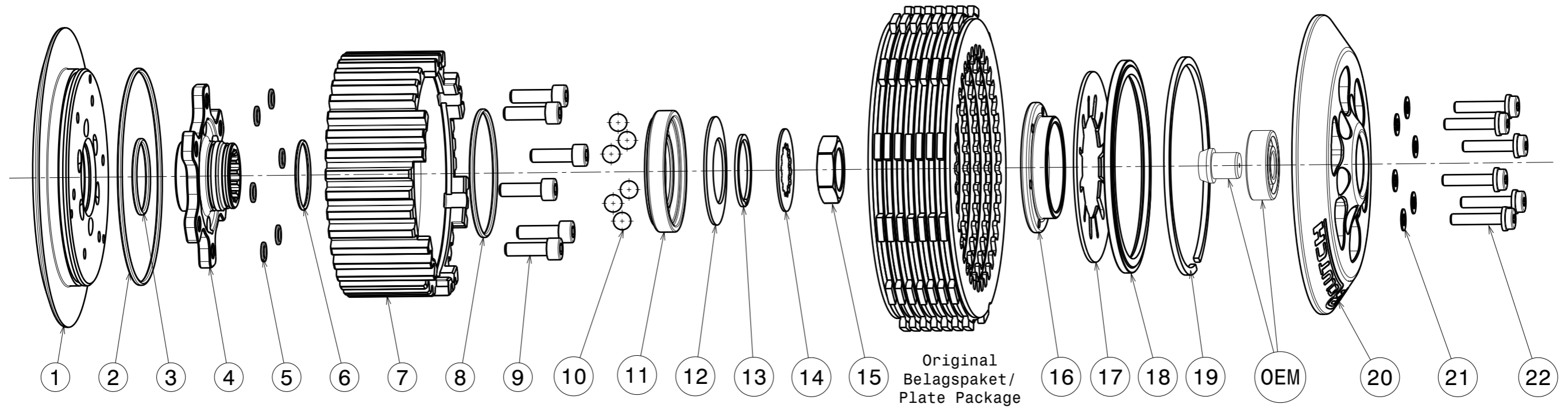


004-28004-3 SuterClutch Ducati:

Superbike 748/749/916/996/998/999/1098 **MH900e**
 Monster 900/1000/S2R1000/S4 **Supersport 900/1000**
 Sportclassic PaulSmart1000LE/Sport1000 **Multistrada 1000**
 Sporttouring bis/until 2004 ST2/ST3/ST4 **Hypermotard 1100**



Packetmass M Package thickness M	Pos.22 Distanzscheibe Distance washer
39.0mm - 38.8mm	0.2mm
38.7mm - 38.4mm	0.5mm
38.3mm - 38.0mm	1.0mm

-Bitte verwenden Sie für die Ducati **Hypermotard** die **Hauptfeder** Nr.7 mit **1235N** (004-88123).
 -Please use for the Ducati **Hypermotard** the **disk spring main** Nr.7 with **1235N** (004-88123).

Item List (329)			
Item	Part Name	SRT Number	QTY
1	Back Plate 35°	004-28720	1
2	O-Ring 96x2 FPM	004-28105	1
3	O-Ring 32x2 FPM	004-28103	1
4	Hub Carrier	004-28704	1
5	O-Ring 6.0x1.5 FPM	004-28106	6
6	O-Ring 29x1.5	004-28101	1
7	Inner Hub	004-28744	1
8	O-Ring 56x2.0 FPM	004-28104	1
9	Screw M6x20 Hexagon Socket	004-28620	6
10	Ball 8mm	004-17801	6
11	Release Ring	004-28976	1
12	Torque Limiter Spring 1500N	004-50150	1
12.1	Torque Limiter Spring 1300N	004-50130	1
12.2	Torque Limiter Spring 1700N	004-50170	1
13	Circlip 30mm Shaft	004-17803	1
14	Locking Washer (Ducati 1098)	004-28670	1
15	Nut Primary Shaft M20x1	004-998201080	1
15.1	Nut Primary Shaft M25x1.5 (Ducati 1098)	004-998251580	1
16	Klamp Hub 7mm Ducati	004-28507	1
17	Disk Spring Main 47x88x1400N	004-88140	1
17.1	Disk Spring Main 47x88x1235N (Hypermotard)	004-88123	1
18	Locking Ring 98	004-00698	1
19	Circlip 98mm Hole	004-17833	1
20	Pressure Plate	004-28944	1
21	Distance Washer 0.2mm	004-00002	6
21.1	Distance Washer 0.5mm	004-00005	6
21.2	Distance Washer 1.0mm	004-00010	6
22	Screw M5x24.5 Hexagon Socket	004-05245	6