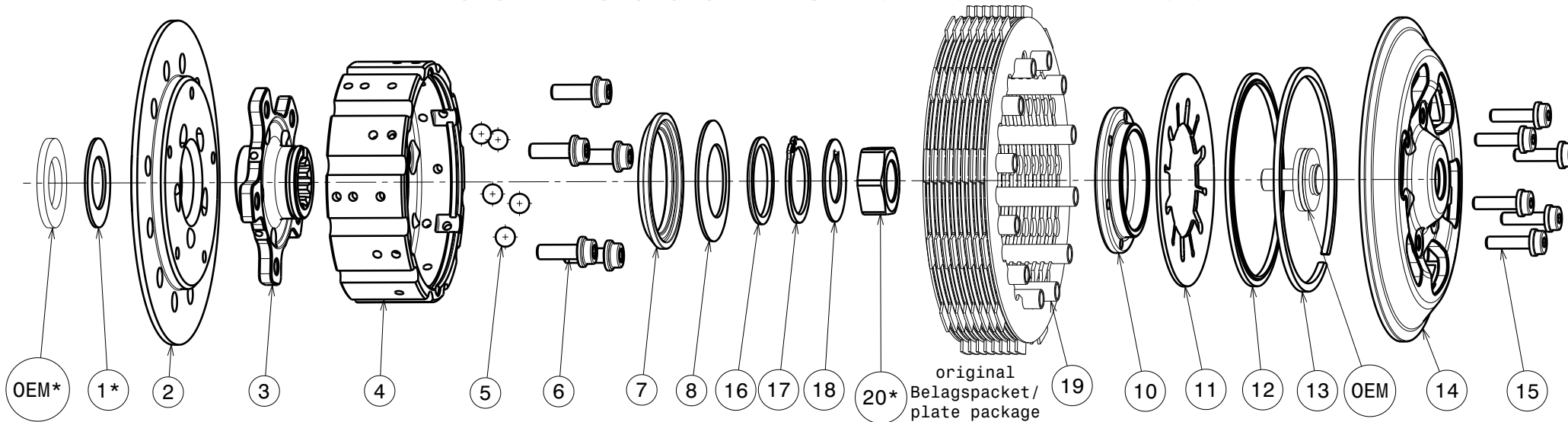


004-55002-8 SuterClutch

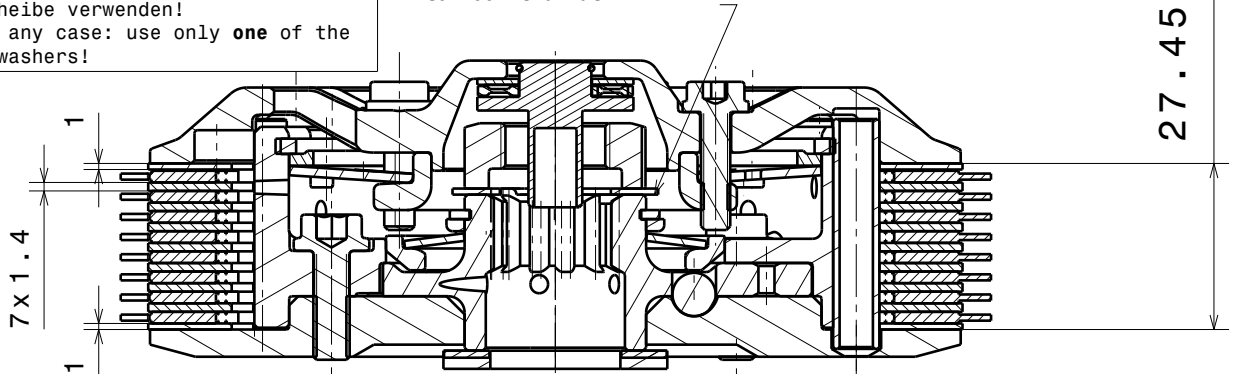


Für Modell For Model	Thrust Washer
250cc 13-14	Pos. 1*
250cc 15-	OEM Washer
350cc	OEM Washer
450cc	Pos. 1*
500/501/510cc	Pos. 1*

In jedem Einbaufall: nur **eine** Scheibe verwenden!
In any case: use only **one** of the 2 washers!

Für Modell For Model	Main Nut
250cc	Pos. 20
350cc	Pos. 20
450cc	OEM Nut
500/501/510cc	OEM Nut

-Die Scheibe Nr.18 biegen um die Mutter zu sichern!
-Bend the washer No.18 to lock the nut!



ITEM LIST (687)			
ITEM	PART NAME	SRT NUMBER	QTY
1	THRUST WASHER	004-55901	1*
2	BACK PLATE 30°	004-55720	1
3	HUB CARRIER	004-55702	1
4	INNER HUB	004-55740	1
5	BALL 8mm	004-17801	5
6	SCREW M6x18	004-17807	5
7	RELEASE RING	004-09975	1
8	TORQUE LIMITER SPRING 950N	004-50095	1
8.1	TORQUE LIMITER SPRING 850N	004-50085	1
8.2	TORQUE LIMITER SPRING 1100N	004-50110	1
8.3	TORQUE LIMITER SPRING 750N (CROSS)	004-50075	1
10	KLAMP HUB 5.0mm	004-00505	1
11	DISK SPRING MAIN 47x88x 1235N	004-88123	1
12	LOCKING RING 88mm	004-00688	1
13	CIRCLIP 90	004-17804	1
14	PRESSURE PLATE	004-55940	1
15	DISTANCE SCREW M5x19.5	004-05195	6
16	DISTANCE RING 30x36x2	004-17610	1
17	CIRCLIP 30mm	004-00030	1
18	LOCKING WASHER	004-08670	1
19	SLEEVE 38mm	004-55990	12
20*	NUT M18x1.5	004-55955	1

Husaberg			Husqvarna				KTM					
450 FE FC	450 FS	510 FE FC	250 FE FC	350 FE FC	450 FE FC	501 FE FC	250 SX-F	350 SX-F	350 EXC-F	450 SX-F EXC	450 SMR	500 EXC
2013 - 2015	2015	2013 - 2015	2014 - 2015				2013 - 2015	2010 - 2015	2012 - 2015	2012 - 2015	2013 - 2014	2012 - 2015

Das angegebene Paketmass ist zwingend einzuhalten!
The plate package thickness must be strictly adhered to!