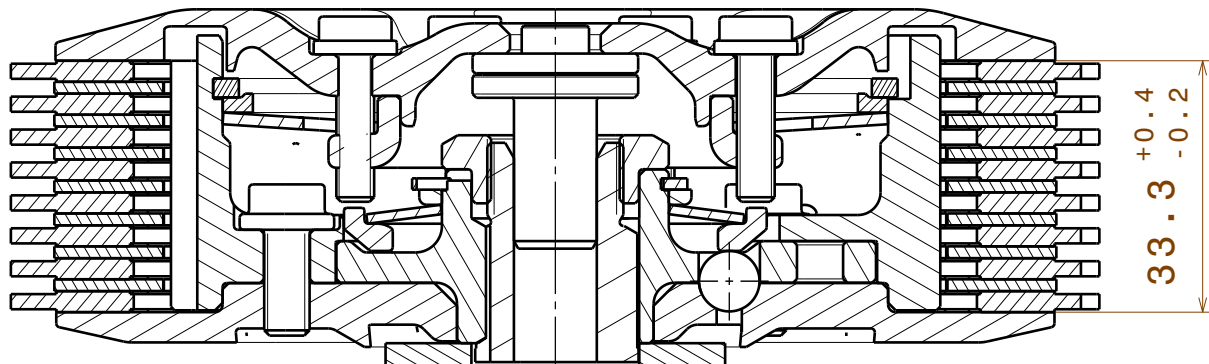
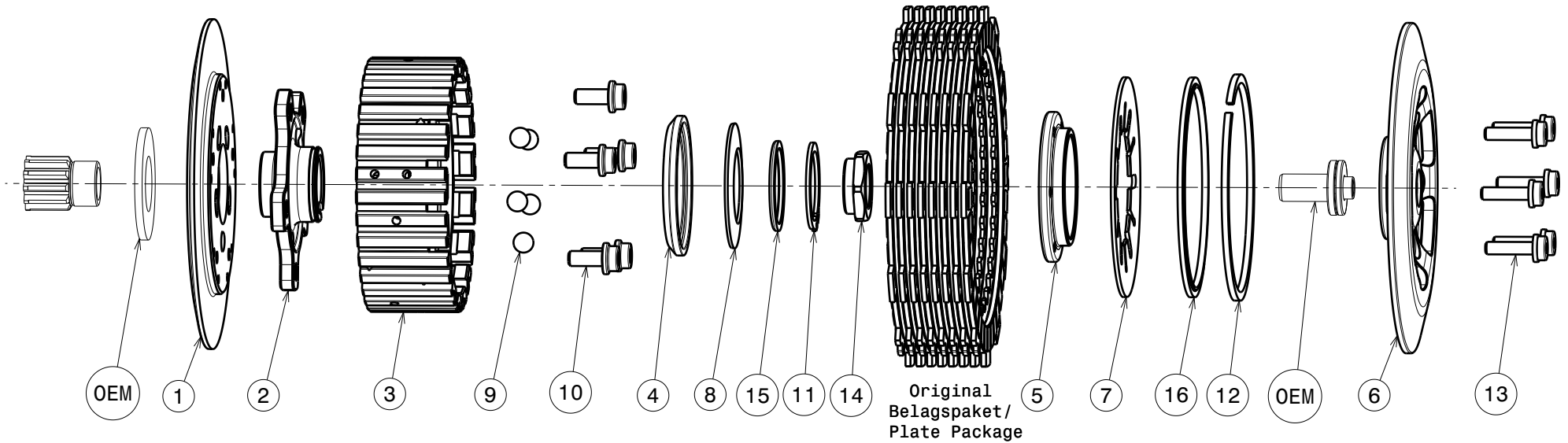


# 004-30002-1 SuterClutch Suzuki RMZ250 2007-2019



**Das angegebene Belagspaketmass ist zwingend einzuhalten!  
The plate package thickness must be strictly adhered to!**

ITEMS LIST (253)			
ITEM	PART NAME	SRT NUMBER	QTY
1	BACK PLATE 30°	004-30720	1
2	HUB CARRIER	004-31700	1
3	INNER HUB	004-31740	1
4	RELEASE RING	004-09975	1
5	KLAMP HUB 5.0mm	004-00505	1
6	PRESSURE PLATE	004-30941	1
7	<b>DISK SPRING MAIN 47x88x1000N</b>	<b>004-88100</b>	<b>1</b>
8	<b>TORQUE LIMITER SPRING 950N</b>	<b>004-50095</b>	<b>1</b>
8.1	TORQUE LIMITER SPRING 750N	004-50075	1
8.2	TORQUE LIMITER SPRING 850N	004-50085	1
8.3	TORQUE LIMITER SPRING 1100N	004-50110	1
9	BALL 8.0MM	004-17801	5
10	SCREW M6x14	004-17814	5
11	CIRCLIP 30mm	004-00030	1
12	CIRCLIP 90mm	004-17804	1
13	DISTANCE SCREW M5x19.5	004-05195	6
14	NUT M18x1.25	004-30955	1
15	DISTANCE RING 30X36X2	004-17610	1
16	LOCKING RING 88	004-00688	1